

SPECIFICATION

Range	'2'	'3'	'3' PHEV	'4'
EXTERIOR FEATURES & LIGHTING				
16" Alloy Wheels (205/60R16)****	●	OPT	●	OPT
18" Alloy Wheels (225/45R18)	-	●	-	●
Matt Black Colour Radiator Grille	●	●	●	●
Body Coloured / High Gloss Door Mirrors	●	●	●	●
Chrome Coated Exterior Door Handles	●	●	●	●
Black Side Sill & Wheel Arch Body Mouldings	●	●	●	●
Chrome Beltline Mouldings	●	●	●	●
Roof Rails	●	●	●	●
Rear Spoiler	●	●	●	●
Solar Glass	●	●	●	●
Privacy Glass (Rear Windows & Tailgate)	●	●	●	●
Electric Sunroof	-	-	-	●
Manual Headlight Levelling Device	●	●	●	●
Automatic Headlight Control	●	●	●	●
Welcome & Follow-me-home Light Functionality	●	●	●	●
Projection Headlights	●	●	●	-
Bi-Xenon Headlights	-	-	-	●
Front Fog Lights	●	●	●	●
LED Daytime Running Lights	●	●	●	●
LED Rear Combination Lights	●	●	●	●
Rain Sensing Front Wipers	●	●	●	●
Electrically Folding, Adjustable & Heated Door Mirrors with LED Indicators	●	●	●	●
Driver's Wide View Door Mirror	●	●	●	●
Standard Paint	●	●	●	●
Optional Paint	OPT	OPT	OPT	-
Premium Paint	OPT	OPT	OPT	OPT
INTERIOR DESIGN & COMFORT				
Black Part Cloth & Leather Upholstery*	●	-	-	-
Black Leather Upholstery*	-	●	●	●
Driver's Seat Height Adjuster	●	-	-	-
8-way Driver's Power Adjustable Seat (Sliding, Reclining, Height Adjustment)	-	●	●	●
Driver Power Memory Seat & Memory Mirror Function	-	-	-	●
Heated Front Seats	-	●	●	●
Heated Outer Rear Seats	-	-	-	●
Ventilated Front Seats	-	-	-	●
Driver's Seat Power Lumbar Support	-	●	●	●
Tilt & Telescopic Steering Wheel Adjustment	●	●	●	●
Leather Trimmed Steering Wheel	●	●	●	●
Leather Trimmed Gearshift	●	●	●	●

Key: - = unavailable on grade ● = standard on grade OPT = Option

*Some parts of the leather upholstery contain faux leather

****16" Alloy with plastic wheel cover



The Power to Surprise

Kia **NIRO**

**Hybrid Electric Vehicle (HEV) /
Plug-in Hybrid (PHEV)**

Range	'2'	'3'	'3' PHEV	'4'
INTERIOR DESIGN & COMFORT				
Heated Steering Wheel	-	●	●	●
High Gloss Black Steering Wheel Trim	●	●	●	●
High Gloss Black Lower Console Trim	●	●	●	●
High Gloss Black Door Insert Trim	●	●	●	●
High Gloss Black Centre Fascia Trim	●	●	●	●
Leather Trimmed Door Armrests*	●	●	●	●
Front & Rear Centre Armrests	●	●	●	●
Satin Finish Interior Door Handles	●	●	●	●
Stainless Steel Door Scuff Plates	-	●	●	●
Light Grey Headlining	●	●	●	●
Foot Parking Brake	●	●	●	●
Dual Automatic Air Conditioning	●	●	●	●
Steering Wheel Mounted Controls	●	●	●	●
All-round Electric Windows with Driver's Auto Up/Down Function	●	-	-	-
All-round Electric Windows with Driver and Front Passenger Auto Up/Down Function	-	●	●	●
Cruise Control	●	●	-	-
Speed Limiter	●	●	●	●
Adaptive Smart Cruise Control Function (SCC)+	OPT	OPT	●	●
Auto-dimming Rear-view Mirror	●	●	●	●
Sunvisors with Vanity Mirror Illumination (Driver & Front Passenger)	●	●	●	●
Remote Central Door Locking with Fold-away Key	●	●	●	-
Engine Start/Stop Button with Smart Entry System	-	-	-	●
Aluminium Pedals	-	-	-	●

STORAGE, VERSATILITY & INTERIOR LIGHTING

60:40 Split Folding 2nd Row Seats	●	●	●	●
3 x Passenger Assist Grips	●	●	●	●
Cupholders in Rear Armrest	●	●	●	●
Rear Ventilation Duct	●	●	●	●
Seatback Pocket (Front Passenger)	●	●	●	●
Seatback Pocket (Driver)	-	●	●	●
Front & Rear Door Storage	●	●	●	●
Centre Console Storage Box	●	●	●	●
Ignition Keyhole Illumination	●	●	●	-
Centre Cabin Light	●	●	●	●
Map Lamp with Sunglasses case	●	●	●	●
Tyre Mobility Kit (TMK)	●	●	●	●
Luggage Area Light	●	●	●	●
Luggage Area Load Cover	●	●	●	●
Luggage Net Hooks	●	●	●	●

AUDIO, COMMUNICATION & INFORMATION

6-speaker System	●	-	-	-
8-speaker JBL® Premium Sound System with Subwoofer, External Amp & Front Centre Speaker	-	●	●	●
DAB Radio with MP3 Compatibility	●	●	●	●
Shark Fin Antenna	●	●	●	●
Front USB & AUX Port	●	●	●	●

Key: - = unavailable on grade ● = standard on grade OPT = Option

*Some parts of the leather upholstery contain faux leather

+Advanced Driving Assistance Pack, comprises of FCA & SCC. Subject to optional orders on trims where not standard

Range	'2'	'3'	'3' PHEV	'4'
AUDIO, COMMUNICATION & INFORMATION				
USB port in centre console (Fast Charge)	●	●	●	●
Bluetooth® with Music Streaming **	●	●	●	●
Apple CarPlay™ with Voice Control**	●	●	●	●
Android Auto™ with Voice Control**	●	●	●	●
Wireless Mobile Phone Charger**	-	●	●	●
7" Touchscreen Satellite Navigation with European Mapping & Traffic Messaging Channel (TMC)	●	-	-	-
8" Touchscreen Satellite Navigation with European Mapping & Traffic Messaging Channel (TMC)	-	●	●	●
Kia Connected Services Featuring TomTom® (Traffic, Speed Cameras, Local Search & Weather Updates)**	●	●	●	●
Reversing Camera System (Integrated into Satellite Navigation Screen)	●	●	●	●
Rear Parking Sensors***	●	●	●	●
Front Parking Sensors***	-	●	●	●
4.2" Supervision Cluster with TFT LCD Colour Display	●	●	●	●
Trip Computer - Distance, Fuel Consumption, Average Speed	●	●	●	●
Digital Clock	●	●	●	●
ACTIVE SAFETY & DRIVING DYNAMICS				
Anti-Lock Braking System (ABS)	●	●	●	●
Electronic Stability Control (ESC)	●	●	●	●
Emergency Stop Signalling (ESS)	●	●	●	●
Forward Collision-Avoidance Assist (FCA)+	OPT	OPT	●	●
Lane Keep Assist System (LKAS)	●	●	●	●
Blind Spot Detection (BSD) with Rear-Cross Traffic Alert (RCTA)	-	-	-	●
Hill-start Assist Control (HAC)	●	●	●	●
Tyre Pressure Monitoring System (TPMS)	●	●	●	●
Drive Mode Select (Eco, Sport)	●	●	●	●
Motor Driven Power Steering (MDPS)	●	●	●	●
PASSIVE SAFETY				
Twin Front Airbags	●	●	●	●
Front Passenger Airbag Cut-off Switch	●	●	●	●
Twin Side Airbags (Front)	●	●	●	●
Twin Curtain Airbags with Roll-over Sensor	●	●	●	●
Knee Airbag (Driver)	●	●	●	●
All-round Height Adjustable Head Rests	●	●	●	●
ISOFIX Child Seat Top Tethers & Anchor Fixings	●	●	●	●
Front Seatbelts Height Adjusters	●	●	●	●
All-round 3-point Seatbelts	●	●	●	●
Impact Sensing Auto Door Unlocking	●	●	●	●
SECURITY				
Alarm System and Engine Immobiliser	●	●	●	●
Locking Wheel Nuts	●	●	●	●
Visible Vehicle Identification Number (VIN)	●	●	●	●
Door Deadlocks	●	●	●	●
Interior Door Lock/Unlock Function	●	●	●	●
Speed Sensing Auto Door Locking (Dealer-Activated Feature)	●	●	●	●

**Please check with your dealer for mobile phone compatibility

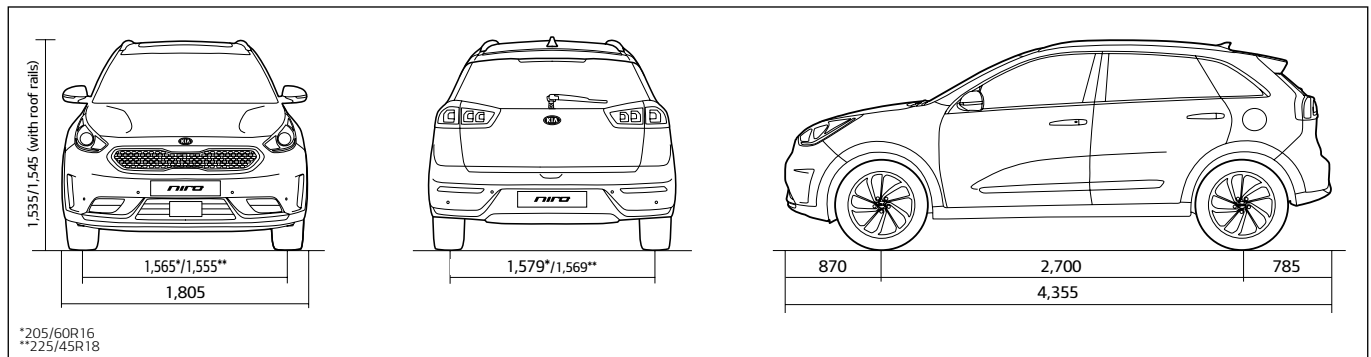
***Parking sensors may not match exterior body colour

+ Advanced Driving Assistance Pack, comprises of FCA & SCC. Subject to optional order on trims where not standard.

TECHNICAL SPECIFICATION

ENGINE	Petrol HEV	Petrol PHEV
	1.6 GDi (104 bhp)	1.6 GDi (104 bhp)
POWER (BATTERY AND ENGINE COMBINED)	139 bhp	139 bhp
DRIVETRAIN		
Cubic capacity	1,580	1,580
Max. power, bhp at rpm	104 / 5,700	104 / 5,700
Max. torque, Nm at rpm	147 / 4,000	147 / 4,000
6 speed dual-clutch transmission (DCT)	●	●
GEAR RATIOS		
1st	3.867	3.867
2nd	2.217	2.217
3rd	1.371	1.371
4th	0.930	0.930
5th	0.956	0.956
6th	0.767	0.767
Reverse	5.351	5.351
Final Gear Ratio	FGR 1: 4.438 / FGR 2: 3.227	FGR 1: 4.438 / FGR 2: 3.227
SUSPENSION & TYRES		
Front suspension	Macpherson Strut	Macpherson Strut
Rear Suspension	Multi link	Multi link
16" tyres	205/60R16	205/60R16
18" tyres	225/45R18	✗
FUEL		
Fuel Type	Petrol	Petrol
Fuel tank capacity, litres	45	43
REGULATED EMISSIONS		
Carbon Monoxide (mg/km)	160.1	31.0
Total Hydrocarbons (mg/km)	22.7	7.4
Nitrogen Oxide (mg/km)	3.2	1.5
Total Hydrocarbons + Nitrogen Oxide (mg/km)	-	-
Particulate Matter (mg/km)	0.20	0.10

DIMENSIONS (mm)



ENGINE		Petrol HEV	Petrol PHEV
		1.6 GDi (104 bhp)	1.6 GDi (104 bhp)
POWER (BATTERY AND ENGINE COMBINED)		139 bhp	139 bhp
BATTERY PACK			
Battery		1.56kWh Li-ion polymer battery	8.9kWh Li-ion polymer battery
Hybrid Type		Parallel (Transmission Mounted)	Parallel (Transmission Mounted)
Max Power (kW)		42	59
Number of Cells		64	96
Nominal Voltage (V)		240	360.00
Battery Weight (kg)		33	117
CHARGING			
3-pin AC Charger		n/a	AC single-phase charging up to 2.3kW
Type 2 (62196-2) AC Charger		n/a	AC single-phase charging up to 3.3kW
AC Charge Time (3.3kW)		n/a	2hrs 15mins (0% → 100%)
NEDC 2.0 FUEL CONSUMPTION, EMISSIONS AND PERFORMANCE INFORMATION			
2-, 3 & 4 Wheel 16" Wheel	Maximum speed (mph)	101	107
	Acceleration 0-60 mph (seconds)	11.5	10.8
	Urban drive cycle MPG (l/100km)	83.1 (3.4)	0.0 (0.0)
	Extra Urban drive cycle MPG (l/100km)	70.6 (4.0)	67.3 (4.2)
	Combined drive cycle MPG (l/100km)	76.3 (3.7)	217.3 (1.3)
	Regulated Emission Standard	Euro 6d TEMP	Euro 6d TEMP
Carbon Dioxide (CO ₂) Emissions (g/km)		86	29
3- & 4 Wheel 18" Wheel	Maximum speed (mph)	101	-
	Acceleration 0-60 mph (seconds)	11.5	-
	Urban drive cycle MPG (l/100km)	72.4 (3.9)	-
	Extra Urban drive cycle MPG (l/100km)	61.4 (4.6)	-
	Combined drive cycle MPG (l/100km)	65.7 (4.3)	-
	Regulated Emission Standard	Euro 6d TEMP	-
Carbon Dioxide (CO ₂) Emissions (g/km)		100	-
VEHICLE INSURANCE GROUPS			
'2'		12	n/a
'3'		14	13
'4'		12	n/a
SERVICE INTERVALS			
1 year / 10,000 miles, whichever comes sooner			

KIA WARRANTY

Over the years, Kia has become one of the most successful car manufacturers in Europe. The key to our success? We give our customers that little bit extra: better service by qualified technicians, regular product innovation and superior warranty coverage.





7 YEAR VEHICLE WARRANTY

Our high quality standards are what make superior warranty coverage possible: 3 years / unlimited mileage and 4-7 years / 100,000 mile manufacturer's warranty. For full warranty coverage including terms and exclusions please refer to your Kia dealer.

12 YEAR ANTI-PERFORATION WARRANTY

Your Niro HEV/ PHEV comes with a 12 year/unlimited mileage anti-perforation warranty. An annual bodywork inspection is required, for which a charge may apply.

MODEL COMPARISON

EXTERIOR COLOURS	'2'	'3'	'4'
Rich Espresso (Standard)	●	●	●
Clear White (Optional)	●	●	-
Graphite (Premium)	●	●	●
Midnight Black (Premium)	●	●	●
White Pearl (Premium)	●	●	●
Gravity Blue (Premium)	-	● (PHEV only)	-
Ocean Blue (Premium)	●	● (HEV only)	●
Runway Red (Premium)	●	● (HEV only)	-
INTERIOR TRIMS			
	Black Cloth & Leather Upholstery*	Black Leather Upholstery*	
WHEEL DESIGNS			
16" Alloy Wheels 205/60R16"		●	OPT**
18" Alloy Wheels 225/45R18"		-	● (HEV only)

*Some parts of the leather upholstery contain faux leather

**16" Alloy standard on PHEV

Kia Motors (UK) Ltd
Walton Green
Walton-On-Thames
Surrey
KT12 1FJ
Freephone: 0333 202 2990
www.kia.com/uk

Images are for illustrative purposes only and may not be to UK specification.
All information and illustrations are based on data available at the time of print
(October 2018) and are subject to change without notice. Contact your local
Kia dealer for current information. MPG figures are obtained from laboratory
testing and intended for comparisons between vehicles and may not reflect real
driving results.



Kia is actively involved with major sporting events around the world, sponsoring the renowned Australian Open as well as individuals such as tennis sensation Rafael Nadal.

